

Technical specifications sheet

Part number **290022151080A**

Description **DPVE 2/8 B~Thread G 6/4~0,55kW 230/400V~50Hz 2P~IEC 71C~~Fixed Ca SiC EPDM**

Vertical centrifugal pump, suction and discharge connections in-line.

Quotation details

Quotation number

Project

Position

Search criteria

Medium to be pumped	Water
Flow	1,00 m3/h
Pressure	50,0 mwc

Hydraulic efficiency

Minimum efficiency index according: MEI \geq 0.70
Commission Regulation (EU) No 547/2012

Actual duty point

Flow	1,05 m3/h
Pressure	54 mwc
NPSH	2,2 m
Efficiency	45,1 %
Motor power	0,34 kW
Frequency	50,0Hz

Best efficiency point

Flow	1,95 m3/h
Pressure	46,1 mwc
NPSH	1,6 m
Efficiency	53,7 %
Motor power	0,46 kW
Frequency	50Hz

Connection base

Connection type	Thread
DIN connection standard	DIN-ISO 228-1
ASME connection standard	
JIS connection standard	
DIN connection size	G 6/4
ASME connection size	
JIS connection size	
DIN connection pressure class	PN16
ASME connection pressure class	
JIS connection pressure class	
Material S/D casing	AISI304
Material flanges	AISI304
Material baseplate	Cast Iron JS1030

Seal data

Shaft diameter	\varnothing 12mm
Seal diameter	\varnothing 12mm
Construction shaft seal	Fixed
Seal code	11
Shaft seal type	MG12-G60
Material mechanical seal	B Q1 E GG
Material shaft seal rotor	Ca
Material shaft seal stator	SiC
Material shaft seal elastomer	EPDM
Material pump elastomer	EPDM
Material seal cover	
Pressure class shaft seal	PN10
Temperature range shaft seal	-20/+100°C

Basic hydraulic data

Maximum working pressure	PN40+120°C
Maximum liquid temperature	140°C+PN16
Minimum liquid temperature	-20°C
Material hydraulic	AISI304

Plug

Air relieve construction	Vent. plug
Material plug	AISI304

For details contact

DP Pumps
PO Box 28
2400AA Alphen a/d Rijn
The Netherlands

NL



Hydraulic performance sheet

Part number **290022151080A**

Description **DPVE 2/8 B~Thread G 6/4~0,55kW 230/400V~50Hz 2P~IEC 71C~~Fixed Ca SiC EPDM**

Vertical centrifugal pump, suction and discharge connections in-line.

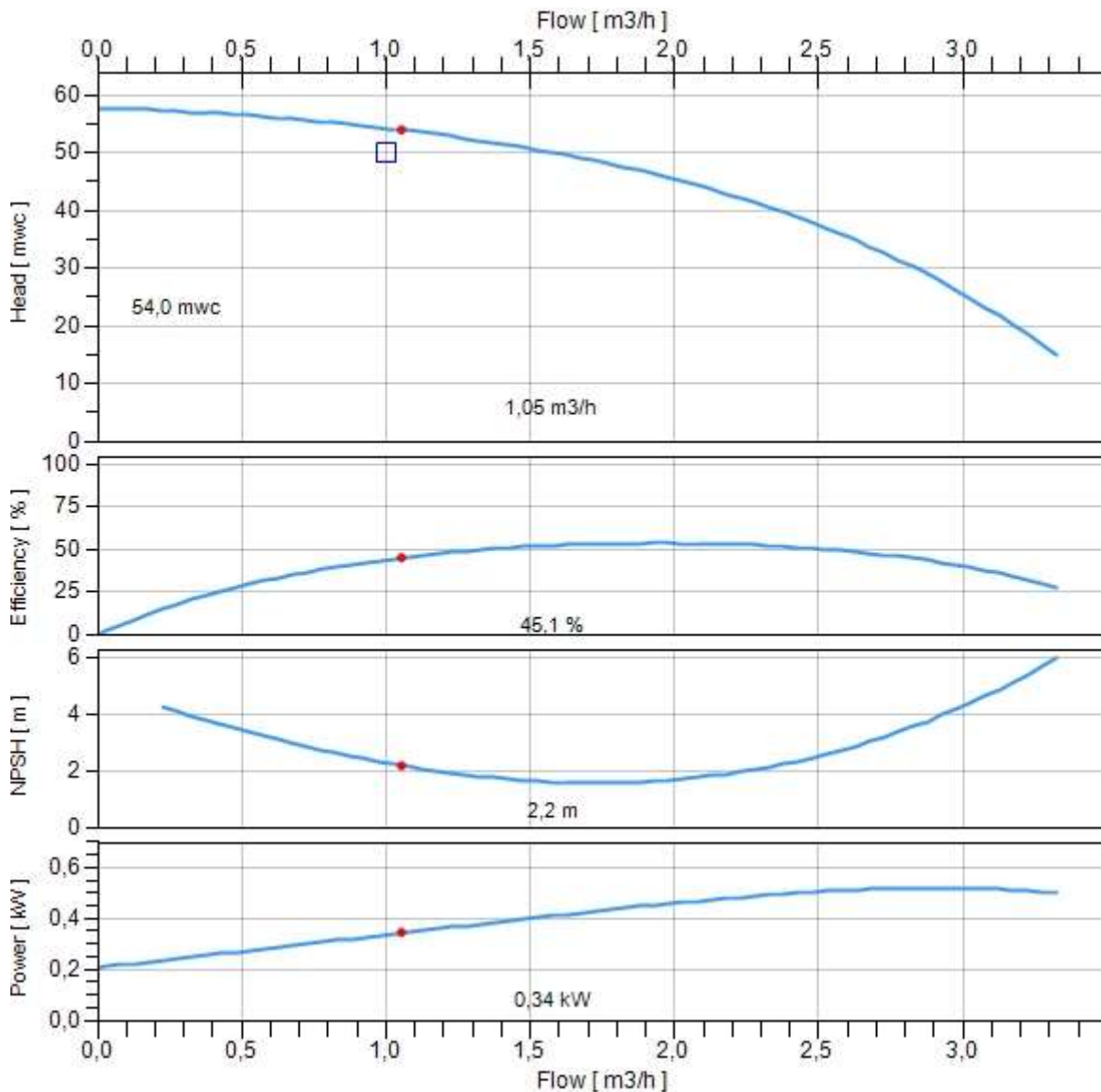
Search criteria

Medium to be pumped

Flow 1,00 m3/h
 Pressure 50,0 mwc

Actual duty point

Flow 1,05 m3/h
 Pressure 54,0 mwc
 Efficiency 45,1 %
 NPSH 2,2 m
 Power 0,34 kW
 Frequency 50,0Hz



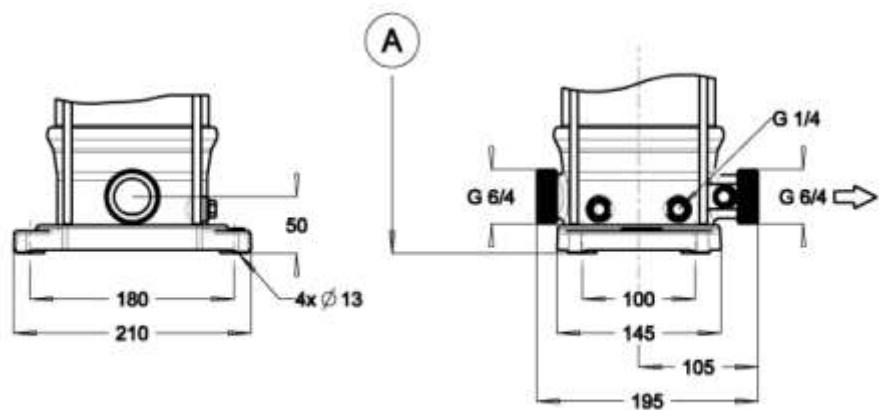
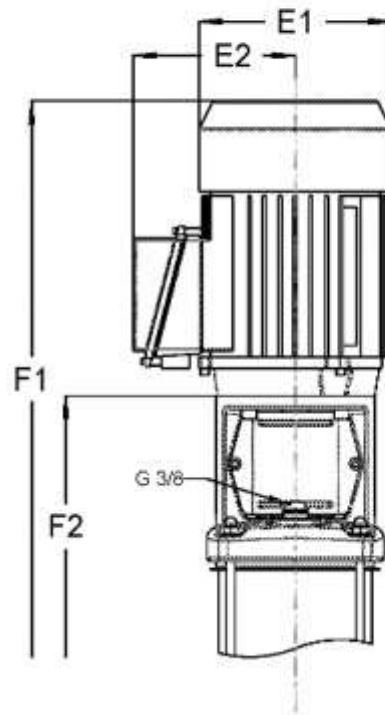
Duty point
 ● Actual
 □ Required

Dimensions sheet

Part number **290022151080A**

Description **DPVE 2/8 B~Thread G 6/4~0,55kW 230/400V~50Hz 2P~IEC 71C~~Fixed Ca SiC EPDM**

Vertical centrifugal pump, suction and discharge connections in-line.



Motor width (E1)	134mm
Motor width (E2)	107mm
Total height (F1)	641mm
Total height (F2)	398mm
Total net weight	20kg

Motor specifications

Part number **3710021005**

Description **Motor DMC 0,55kW 230/400V 2P 71C IP55 Pos. 800**

Electric Data

Rated power output	0,55kW
Maximum power output	0,7kW
Rated voltage	230/400V
Phases	3ph
Frequency	50/60Hz
Voltage range	207-253/360-440V
Motor poles	2P
ATEX class	
Duty class	S1
Insulation class	F (rise-B)
Moment of inertia	0,00069kgm ²
Motor standard	IEC
Capacitor	
Motor efficiency	82/82%
Motor efficiency class	

50Hz

Tolerance rated voltage	±10%
Rated speed	2880rpm
Starting current factor (Ia/In)	5.3
Rated current (In)	2,1/1,2A
Maximum current (Imax)	2,6/1,5A
Rated Cos phi	0.8
Sound pressure	60dB(A)
Rated nominal torque	1,8Nm
Rated starting torque	5,6Nm

60Hz

Tolerance rated voltage	+20%, -10%
Rated speed	3460rpm
Starting current factor (Ia/In)	5.3
Rated current (In)	2,1/1,2A
Maximum current (Imax)	2,6/1,5A
Rated Cos phi	0.8
Sound pressure	60dB(A)
Rated nominal torque	1,5Nm
Rated starting torque	4Nm

Motor protection

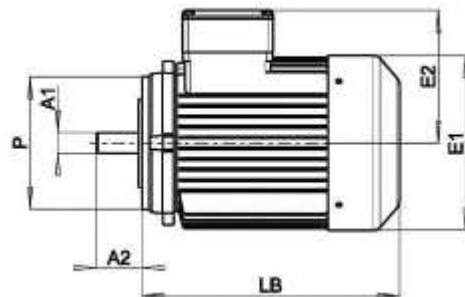
Motor protection class	IP55
Temperature sensor	
Rain cover	
Anti condensation heater	

Mechanical data

Shaft execution	smooth shaft
Maximum starts per hour	50
Cable gland	1xM20x1,5
VFD allowance	VFD allowed

Dimensions

Diameter shaft A1	14mm
Length shaft A2	30mm
Diameter motor E1	134mm
Terminal box height E2	107mm
Diameter flange P	105mm
L. motor (without shaft) LB	243mm
Frame size	71C
Motor construction type	IM V18
Motor face	IEC 60034-7 Form FT 85



Bearings / lubrication

Grease nipple	
Bearing fixation pos	D-end
D-end bearing type	6203-2RS-C3
Bearing grease	temp. -30°C/130°C

Details

Motor label	DMC
Weight	8,6kg
Lifting lugs	
Motor finish	RAL5002
Rated max. amb. temp.	40°C
Material housing	Aluminium